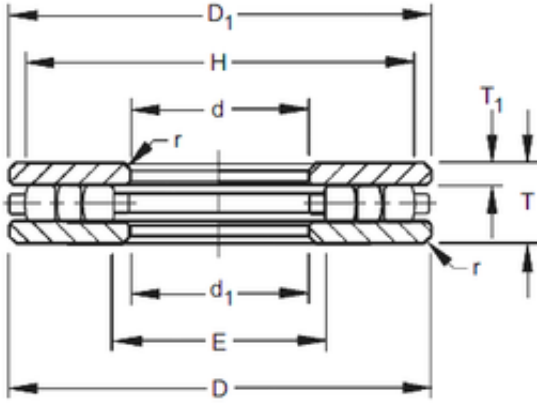




NTN Bearing Driveshaft do Brasil

Timken 120TP151 thrust roller bearings

Bearing No. 120TP151



120TP151 Bearing 2D drawings and 3D CAD models

Size	304.8x457.2x95.25 mm
Bore Diameter	304,8 mm
Outer Diameter	457,2 mm
Width	95,25 mm
d	304,8 mm
D	457,2 mm
T	95,25 mm
r max	6,4 mm
T1	26,19 mm
d1	307,18 mm
D1	454,82 mm
E	323,8 mm
H	438,2 mm