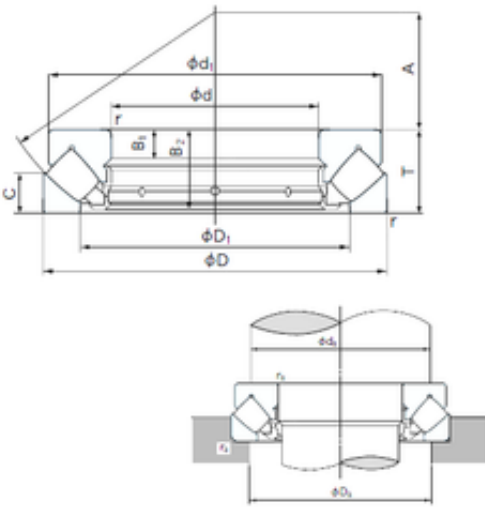




NTN Bearing Driveshaft do Brasil

100 mm x 210 mm x 24 mm 100 mm x 210 mm
x 24 mm NACHI 29420E thrust roller bearings

Bearing No. 29420E



29420E Bearing 2D drawings and 3D CAD models

Size	100x210x67 mm
Bore Diameter	100 mm
Outer Diameter	210 mm
Width	67 mm
d	100 mm
D	210 mm
T	67 mm
d1	200 mm
r min.	3 mm
A	62 mm
B1	24 mm
B2	64 mm
C	32 mm
D1	146 mm
da min.	150 mm
Da max.	175 mm
ra max.	2.5 mm
Weight	11.2 Kg
Basic dynamic load rating (C)	690 kN
Basic static load rating (C0)	2230 kN
Category	Bearings
Inventory	0.0
Manufacturer Name	NACHI
Minimum Buy Quantity	N/A
Weight / Kilogram	0



NTN Bearing Driveshaft do Brasil

Product Group	B04311
Bore Type	Cylindrical Bore
Enclosure	Open
Configuration	Single Row
Bore Size	100 mm
Outside Diameter	210 mm
Fillet Radius/Chamfer	3 mm
Width	67 mm
Dynamic Load Rating	690,000 N
Static Load Rating	2,230,000 N
Limiting Speed - Oil	1,700 rpm
B	24 mm
da (min)	150 mm
Da (max)	175 mm
ra (max)	2.5 mm