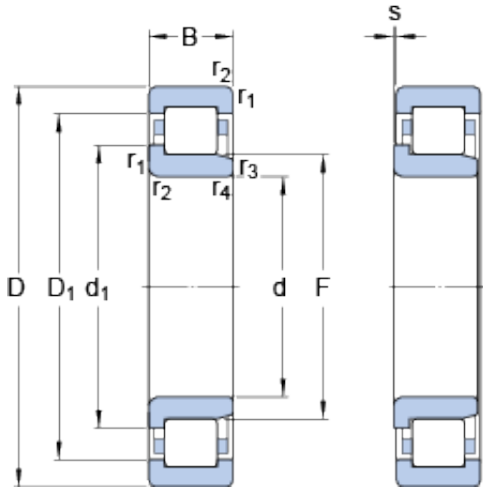




NTN Bearing Driveshaft do Brasil



85 mm x 150 mm x 28 mm 85 mm x 150 mm x 28 mm SKF NJ 217 ECJ thrust ball bearings

Bearing No. NJ 217 ECJ

NJ 217 ECJ Bearing 2D drawings and 3D CAD models

Size	150x85x28 mm
Bore Diameter	150 mm
Outer Diameter	85 mm
Width	28 mm
d	85 mm
D	150 mm
B	28 mm
d ₁	107 mm
D ₁	130.3 mm
F	100.5 mm
r _{1,2} - min.	2 mm
r _{3,4} - min.	2 mm
s	1.5 mm
d _a - min.	96 mm
d _a - max.	98 mm
d _b - min.	110 mm
D _a - max.	138.5 mm
r _a - max.	2 mm
Basic dynamic load rating - C	190 kN
Basic static load rating - C ₀	200 kN
Fatigue load limit - P _u	25 kN
Reference speed	4800 r/min
Limiting speed	5300 r/min
Calculation factor - k _r	0.15



NTN Bearing Driveshaft do Brasil

d_1	107 mm
D_1	130.3 mm
$r_{1,2}$ min.	2 mm
$r_{3,4}$ min.	2 mm
s max.	1.5 mm
d_a min.	96 mm
d_a max.	98 mm
d_b min.	110 mm
D_a max.	138.5 mm
r_a max.	2 mm
Basic dynamic load rating C	190 kN
Basic static load rating C_0	200 kN
Fatigue load limit P_u	25 kN
Calculation factor k_r	0.15
Limiting value e	0.2
Axial load factor Y	0.6
Mass bearing	1.91 kg
Angle ring	HJ 217 EC