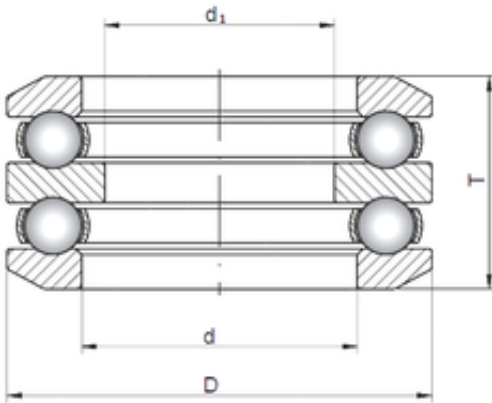




NTN Bearing Driveshaft do Brasil

ISO 54236 thrust ball bearings

Bearing No. 54236



Size	183x250x102.4 mm
Bore Diameter	183 mm
Outer Diameter	250 mm
Width	102,4 mm
d	183 mm
d1	150 mm
D	250 mm
T	102,4 mm

54236 Bearing 2D drawings and 3D CAD models