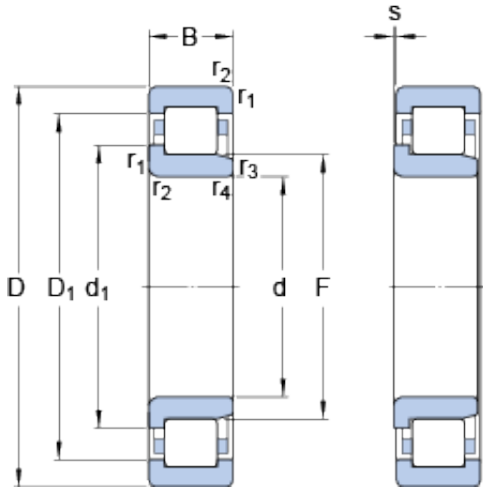




NTN Bearing Driveshaft do Brasil



160 mm x 290 mm x 48 mm 160 mm x 290 mm
x 48 mm SKF NJ 232 ECM thrust ball bearings

Bearing No. NJ 232 ECM

NJ 232 ECM Bearing 2D drawings and 3D CAD models

Size	290x160x48 mm
Bore Diameter	290 mm
Outer Diameter	160 mm
Width	48 mm
d	160 mm
D	290 mm
B	48 mm
d ₁	206 mm
D ₁	248.6 mm
F	195 mm
r _{1,2} - min.	3 mm
r _{3,4} - min.	3 mm
s	2.7 mm
d _a - min.	175 mm
d _a - max.	191 mm
d _b - min.	210 mm
D _a - max.	274.2 mm
r _a - max.	2.5 mm
Basic dynamic load rating - C	585 kN
Basic static load rating - C ₀	680 kN
Fatigue load limit - P _u	72 kN
Reference speed	2400 r/min
Limiting speed	2600 r/min
Calculation factor - k _r	0.15



NTN Bearing Driveshaft do Brasil

d_1	206 mm
D_1	248.6 mm
$r_{1,2}$ min.	3 mm
$r_{3,4}$ min.	3 mm
s max.	2.7 mm
d_a min.	175 mm
d_a max.	191 mm
d_b min.	210 mm
D_a max.	274.2 mm
r_a max.	2.5 mm
Basic dynamic load rating C	585 kN
Basic static load rating C_0	680 kN
Fatigue load limit P_u	72 kN
Calculation factor k_r	0.15
Limiting value e	0.2
Axial load factor Y	0.6
Mass bearing	14.5 kg