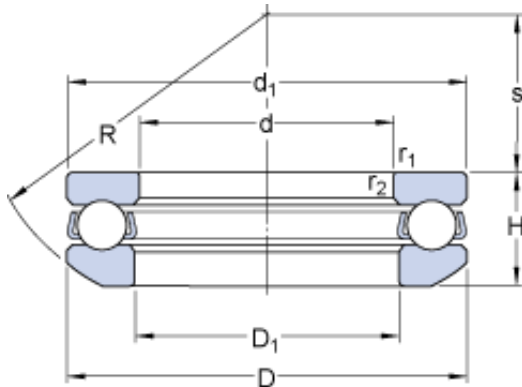




NTN Bearing Driveshaft do Brasil



SKF 53205 + U 205 thrust ball bearings

Bearing No. 53205 + U 205

Size	47x25x16.7 mm
Bore Diameter	47 mm
Outer Diameter	25 mm
Width	16,7 mm
d	25 mm
D	47 mm
H	16.7 mm
H ₁	19 mm
d ₁	47 mm
D ₁	27 mm
D ₂	36 mm
D ₃	50 mm
C	5.5 mm
R	40 mm
s	19 mm
r _{1,2} - min.	0.6 mm
d _a - min.	38 mm
D _a - max.	36 mm
r _a - max.	0.6 mm
Basic dynamic load rating - C	26.5 kN
Basic static load rating - C ₀	50 kN
Fatigue load limit - P _u	1.9 kN
Reference speed	5000 r/min
Limiting speed	7000 r/min

53205 + U 205 Bearing 2D drawings and 3D CAD models



NTN Bearing Driveshaft do Brasil

Minimum load factor - A	0.015
H_1	19 mm
d_1	47 mm
D_1	27 mm
D_2	36 mm
D_3	50 mm
$r_{1,2}$ min.	0.6 mm
d_a min.	38 mm
D_a max.	36 mm
r_a max.	0.6 mm
Basic dynamic load rating C	26.5 kN
Basic static load rating C_0	50 kN
Fatigue load limit P_u	1.86 kN
Minimum load factor A	0.015
Mass bearing (including seat washer where applicable)	0.15 kg