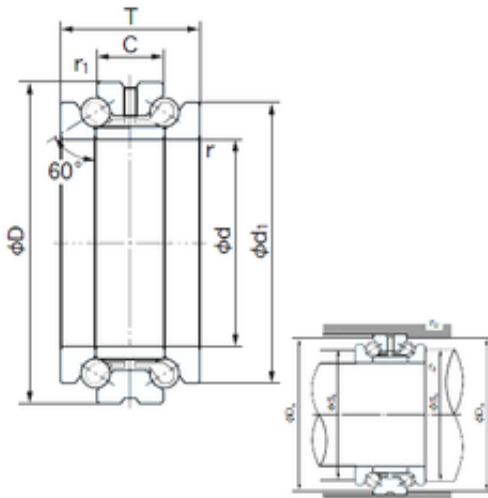




NTN Bearing Driveshaft do Brasil



55TAD20 Bearing 2D drawings and 3D CAD models

NACHI 55TAD20 thrust ball bearings

Bearing No. 55TAD20

Size	55x90x44 mm
Bore Diameter	55 mm
Outer Diameter	90 mm
Width	44 mm
d	55 mm
D	90 mm
T	44 mm
ra1 max.	0.6 mm
Angle (°)	60 °
d1	78 mm
r min.	1.1 mm
r1 min.	0.6 mm
C	22 mm
da min.	68 mm
Da max.	85 mm
ra max.	1 mm
Weight	0.988 Kg
Basic dynamic load rating (C)	29,9 kN
Basic static load rating (C0)	71,5 kN
(Grease) Lubrication Speed	4500 r/min