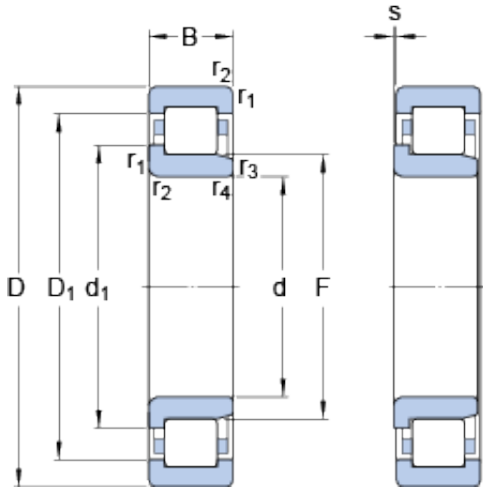




## NTN Bearing Driveshaft do Brasil



17 mm x 40 mm x 12 mm 17 mm x 40 mm x 12 mm SKF NJ 203 ECP thrust ball bearings

Bearing No. NJ 203 ECP

NJ 203 ECP Bearing 2D drawings and 3D CAD models

Size	40x17x12 mm
Bore Diameter	40 mm
Outer Diameter	17 mm
Width	12 mm
d	17 mm
D	40 mm
B	12 mm
d <sub>1</sub>	25 mm
D <sub>1</sub>	32.35 mm
F	22.1 mm
r <sub>1,2</sub> - min.	0.6 mm
r <sub>3,4</sub> - min.	0.6 mm
s	1 mm
d <sub>a</sub> - min.	20.7 mm
d <sub>a</sub> - max.	21.1 mm
d <sub>b</sub> - min.	27 mm
D <sub>a</sub> - max.	36 mm
r <sub>a</sub> - max.	0.6 mm
Basic dynamic load rating - C	17.2 kN
Basic static load rating - C <sub>0</sub>	14.3 kN
Fatigue load limit - P <sub>u</sub>	1.7 kN
Reference speed	19000 r/min
Limiting speed	22000 r/min
Calculation factor - k <sub>r</sub>	0.15



## NTN Bearing Driveshaft do Brasil

Category	Cylindrical Roller Bearings
Inventory	0.0
Manufacturer Name	SKF
Minimum Buy Quantity	N/A
Weight / Kilogram	0.074
EAN	7316577061799
Product Group	B04144
Bore Profile	Straight
Cage Material	Polymer
Precision Class	RBEC 1   ISO P0
Number of Rows of Rollers	Single Row
Separable	Inner Ring - One Side
Rolling Element	Cylindrical Roller Bearing
Profile	Complete with Outer and Inner Ring
Snap Ring	No
Internal Clearance	C0-Medium
Retainer	Yes
Relubricatable	Yes
Inch - Metric	Metric
Other Features	High Capacity   1 Rib Inner Ring   2 Rib Outer Ring   Cage on Outer Ring ID
Long Description	17MM Bore; Straight Bore Profile; 40MM Outside Diameter; 12MM Width; Polymer Cage Material; RBEC 1   ISO P0; Single Row; Inner Ring - One Side Separable; No Snap Ring; Relubricatable; C0-Medium Inter
Category	Cylindrical Roller Bearing
UNSPSC	31171547
Harmonized Tariff Code	8482.50.00.00
Noun	Bearing



## NTN Bearing Driveshaft do Brasil

Manufacturer URL	<a href="http://www.skf.com">http://www.skf.com</a>
Manufacturer Item Number	NJ 203 ECP
Weight / LBS	0.162
Width	0.472 Inch   12 Millimeter
Bore	0.669 Inch   17 Millimeter
Outside Diameter	1.575 Inch   40 Millimeter
bore diameter:	17 mm
static load capacity:	14.3 kN
outside diameter:	40 mm
precision rating:	RBEC 1 (ISO Class Normal)
overall width:	12 mm
maximum rpm:	22000 RPM
flanges:	(2) Outer Ring, (1) Inner Ring
cage material:	Polyamide
bore type:	Straight
finish/coating:	Uncoated
number of rows:	1
closure type:	Open
internal clearance:	C0
application:	Piston Type Machines, Rolling Mills, Spindles/Machine Tools
ring separation:	Separable Ring
outer ring width:	12 mm
operating temperature range:	Maximum of +300 ° F
fillet radius:	0.6 mm
dynamic load capacity:	17.2 kN
series:	NJ2
d <sub>1</sub>	25 mm
D <sub>1</sub>	32.35 mm
r <sub>1,2</sub> min.	0.6 mm



## NTN Bearing Driveshaft do Brasil

$r_{3,4}$ min.	0.6 mm
s max.	1 mm
$d_a$ min.	20.7 mm
$d_a$ max.	21.1 mm
$d_b$ min.	27 mm
$D_a$ max.	36 mm
$r_a$ max.	0.6 mm
Basic dynamic load rating C	20 kN
Basic static load rating $C_0$	14.3 kN
Fatigue load limit $P_u$	1.73 kN
Calculation factor $k_r$	0.15
Limiting value e	0.2
Axial load factor Y	0.6
Mass bearing	0.069 kg