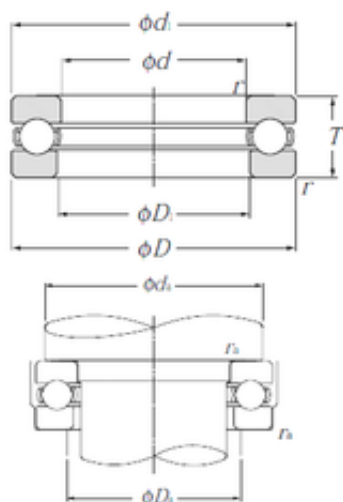




NTN Bearing Driveshaft do Brasil



NTN 51108 thrust ball bearings

Bearing No. 51108

Size	40x60x13 mm
Bore Diameter	40 mm
Outer Diameter	60 mm
Width	13 mm
d	40 mm
D	60 mm
T	13 mm
d1	60 mm
r min.	0,6 mm
D1	42 mm
da min.	52 mm
Da max.	48 mm
ra max.	0,6 mm
Weight	0,125 Kg
Basic dynamic load rating (C)	26,9 kN
Basic static load rating (C0)	63 kN
(Grease) Lubrication Speed	3 500 r/min
Category	Thrust Ball Bearing
Inventory	2.0
Manufacturer Name	NTN
Minimum Buy Quantity	N/A
Weight / Kilogram	0.117
EAN	4547359306002
Product Group	B00308
Rolling Element	Ball Bearing
Thrust Bearing	Yes

51108 Bearing 2D drawings and 3D CAD models



NTN Bearing Driveshaft do Brasil

Single or Double Direction	Single Direction
Banded	No
Cage Material	Steel
Precision Class	ABEC 1 ISO P0
Component Description	Roller Assembly Plus Raceways
Other Features	Single Row With Flat Seat
Long Description	40MM Bore 1; 42MM Bore 2; 60MM Outside Diameter; 13MM Height; Ball Bearing; Single Direction; Not Banded; Steel Cage; ABEC 1 ISO P0 Precision
Inch - Metric	Metric
Category	Thrust Ball Bearings
UNSPSC	31171552
Harmonized Tariff Code	8482.10.50.08
Noun	Bearing
Keyword String	Ball Thrust
Manufacturer URL	http://www.ntnamerica.com
Manufacturer Item Number	51108
Weight / LBS	0.27558
Bore 1	1.575 Inch 40 Millimeter
Height	0.512 Inch 13 Millimeter
Bore 2	1.654 Inch 42 Millimeter
Overall Height with Aligning Washer	0 Inch 0 Millimeter
Outside Diameter	2.362 Inch 60 Millimeter
bore diameter:	40 mm
dynamic load capacity:	26900 N
outside diameter:	60 mm
operating temperature range:	-40 to 120 ° C
overall width:	13 mm



NTN Bearing Driveshaft do Brasil

maximum rpm:	5000 rpm
thrust bearing type:	Single-Direction
bearing material:	High Carbon Chrome Steel
outside diameter design:	Straight
cage material:	Steel
separable or banded:	Separable
fillet radius:	0.6 mm
precision rating:	ISO Class 0
series:	511
static load capacity:	63000 N
manufacturer product page:	Click here