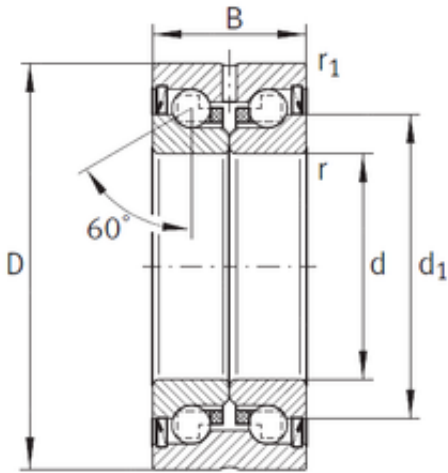




NTN Bearing Driveshaft do Brasil



8 mm x 32 mm x 20 mm 8 mm x 32 mm x 20 mm INA ZKLN0832-2Z thrust ball bearings

Bearing No. ZKLN0832-2Z

Size	8x32x20 mm
Bore Diameter	8 mm
Outer Diameter	32 mm
Width	20 mm
d	8 mm
D	32 mm
B	20 mm
C	20 mm
Angle (?)	60 °
d1	19 mm
r min.	0,3 mm
r1 min.	0,6 mm
Weight	0,09 Kg
Basic dynamic load rating (C)	12,5 kN
Basic static load rating (C0)	16,3 kN

ZKLN0832-2Z Bearing 2D drawings and 3D CAD models