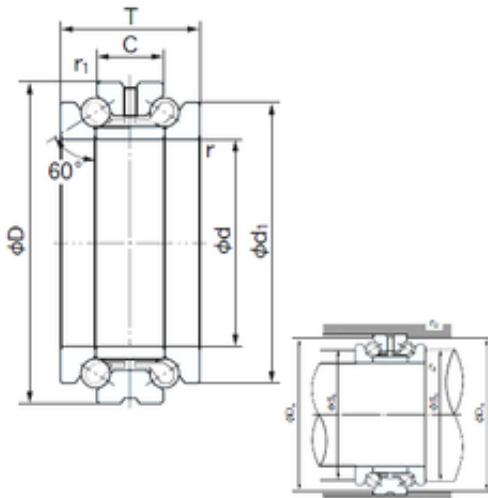




NTN Bearing Driveshaft do Brasil



50TAD20 Bearing 2D drawings and 3D CAD models

NACHI 50TAD20 thrust ball bearings

Bearing No. 50TAD20

Size	50x80x38 mm
Bore Diameter	50 mm
Outer Diameter	80 mm
Width	38 mm
d	50 mm
D	80 mm
T	38 mm
ra1 max.	0.6 mm
Angle (°)	60 °
d1	70 mm
r min.	1 mm
r1 min.	0.6 mm
C	19 mm
da min.	61 mm
Da max.	76 mm
ra max.	1 mm
Weight	0.656 Kg
Basic dynamic load rating (C)	22 kN
Basic static load rating (C0)	52 kN
(Grease) Lubrication Speed	5000 r/min