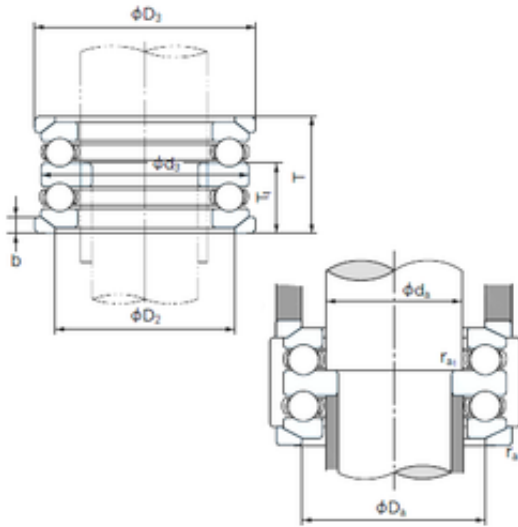




## NTN Bearing Driveshaft do Brasil



54244U Bearing 2D drawings and 3D CAD models

### NACHI 54244U thrust ball bearings

Bearing No. 54244U

Size	220x300x134 mm
Bore Diameter	220 mm
Outer Diameter	300 mm
Width	134 mm
d	220 mm
d2	190 mm
D	300 mm
T	134 mm
ra1 max.	2 mm
T1	79 mm
a	24 mm
b	25 mm
d3	299 mm
r min.	2 mm
r1 min.	2 mm
D1	224 mm
D2	260 mm
D3	310 mm
da min.	220 mm
Da max.	260 mm
ra max.	2 mm
Weight	29.6 Kg
Basic dynamic load rating (C)	325 kN
Basic static load rating (C0)	1210 kN
(Grease) Lubrication Speed	690 r/min