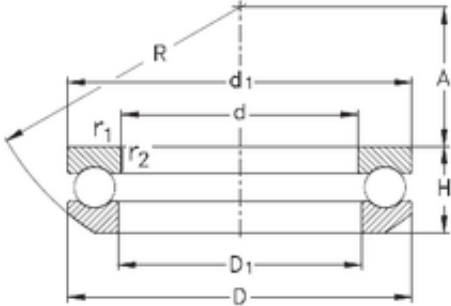




NTN Bearing Driveshaft do Brasil

NKE 53410 thrust ball bearings

Bearing No. 53410



53410 Bearing 2D drawings and 3D CAD models

Size	50x110x45.6 mm
Bore Diameter	50 mm
Outer Diameter	110 mm
Width	45,6 mm
d	50 mm
D	110 mm
H	45,6 mm
d1	110 mm
r1 min.	1,5 mm
r2 min.	1,5 mm
A	35 mm
D1	52 mm
R	90 mm
Weight	2,33 Kg
Basic dynamic load rating (C)	156 kN
Basic static load rating (C0)	310 kN