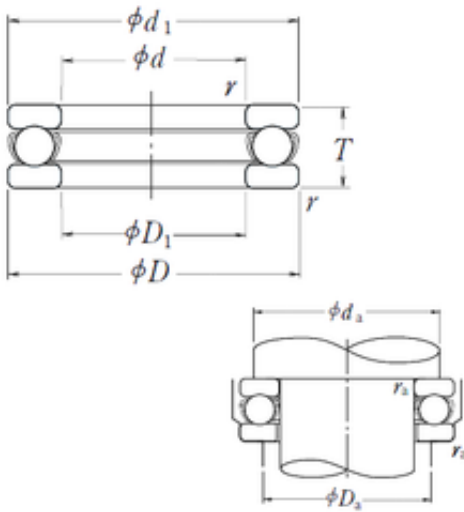




## NTN Bearing Driveshaft do Brasil



51308 Bearing 2D drawings and 3D CAD models

### NSK 51308 thrust ball bearings

Bearing No. 51308

Size	40x78x26 mm
Bore Diameter	40 mm
Outer Diameter	78 mm
Width	26 mm
d	40 mm
D	78 mm
T	26 mm
d1	78 mm
r min.	1 mm
D1	42 mm
da min.	63 mm
Da max.	55 mm
ra max.	1 mm
Weight	0,536 Kg
Basic dynamic load rating (C)	70 kN
Basic static load rating (C0)	135 kN
(Grease) Lubrication Speed	2200 r/min
Category	Thrust Ball Bearing
Inventory	0.0
Manufacturer Name	NSK
Minimum Buy Quantity	N/A
Weight / Kilogram	0.55
EAN	0029176062353
Product Group	B00308
Rolling Element	Ball Bearing
Thrust Bearing	Yes



## NTN Bearing Driveshaft do Brasil

Single or Double Direction	Single Direction
Banded	No
Cage Material	Steel
Precision Class	Non-Precision
Component Description	Roller Assembly Plus Raceways
Other Features	Single Row   With Flat Seat
Long Description	40MM Bore 1; 42MM Bore 2; 78MM Outside Diameter; 26MM Height; Ball Bearing; Single Direction; Not Banded; Steel Cage; Non-Precision
Inch - Metric	Metric
Category	Thrust Ball Bearings
UNSPSC	31171552
Harmonized Tariff Code	8482.10.50.08
Noun	Bearing
Keyword String	Ball Thrust
Manufacturer URL	<a href="http://www.nskamericas.com">http://www.nskamericas.com</a>
Manufacturer Item Number	51308
Weight / LBS	1.18168
Outside Diameter	3.071 Inch   78 Millimeter
Height	1.024 Inch   26 Millimeter
Overall Height with Aligning Washer	0 Inch   0 Millimeter
Bore 1	1.575 Inch   40 Millimeter
Bore 2	1.654 Inch   42 Millimeter
bore diameter:	40 mm
static load capacity:	30000 lbf
outside diameter:	78 mm
dynamic load capacity:	15700 lbf
overall width:	26 mm



## NTN Bearing Driveshaft do Brasil

operating temperature range:	Maximum of +120 ° C
thrust bearing type:	Single-Direction
maximum rpm:	3400 rpm
outside diameter design:	Straight
cage material:	Steel Cage
separable or banded:	Separable
fillet radius:	1 mm
race type:	Flat
series:	51300
precision rating:	ABEC1, P0
SRI	7.25
hidYobi	51308
LangID	1
D_	78
SREX	0.05
C	70
B_	26
hidTable	ecat_NSSDTB
Oil rpm	3400
SRE	7.25
mass	0.536
GRS rpm	2200
ra	1
SRIX	0.05
D_a	55
SRIN	0
C0	135
SREN	0
D_1	42
Prod_Type3	TB_SD_WFS
da	63
DA_	13.494



## NTN Bearing Driveshaft do Brasil

Z_	12
yobi	51308
SDM_	59
r	1
T_	26
KBRG	5111