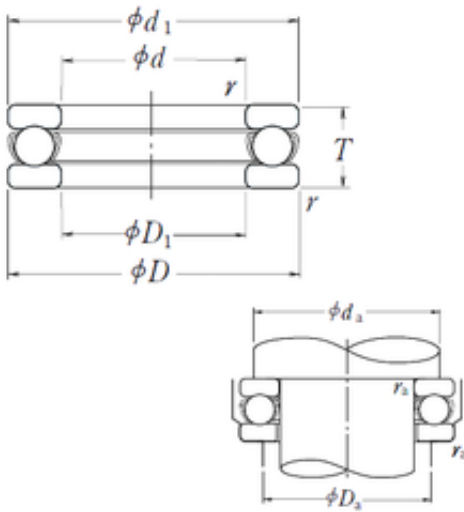




NTN Bearing Driveshaft do Brasil



51204 Bearing 2D drawings and 3D CAD models

NSK 51204 thrust ball bearings

Bearing No. 51204

| | |
|-------------------------------|---------------------|
| Size | 20x40x14 mm |
| Bore Diameter | 20 mm |
| Outer Diameter | 40 mm |
| Width | 14 mm |
| d | 20 mm |
| D | 40 mm |
| T | 14 mm |
| d1 | 40 mm |
| r min. | 0,6 mm |
| D1 | 22 mm |
| da min. | 32 mm |
| Da max. | 28 mm |
| ra max. | 0,6 mm |
| Weight | 0,077 Kg |
| Basic dynamic load rating (C) | 22,5 kN |
| Basic static load rating (C0) | 37,5 kN |
| (Grease) Lubrication Speed | 4300 r/min |
| Category | Thrust Ball Bearing |
| Inventory | 0.0 |
| Manufacturer Name | NSK |
| Minimum Buy Quantity | N/A |
| Weight / Kilogram | 0.08 |
| EAN | 0029176029165 |
| Product Group | B00308 |
| Rolling Element | Ball Bearing |
| Thrust Bearing | Yes |



NTN Bearing Driveshaft do Brasil

| | |
|-------------------------------------|---|
| Single or Double Direction | Single Direction |
| Banded | No |
| Cage Material | Steel |
| Precision Class | Non-Precision |
| Component Description | Roller Assembly Plus Raceways |
| Other Features | Single Row With Flat Seat |
| Long Description | 20MM Bore 1; 22MM Bore 2; 40MM Outside Diameter; 14MM Height; Ball Bearing; Single Direction; Not Banded; Steel Cage; Non-Precision |
| Inch - Metric | Metric |
| Category | Thrust Ball Bearings |
| UNSPSC | 31171552 |
| Harmonized Tariff Code | 8482.10.50.08 |
| Noun | Bearing |
| Keyword String | Ball Thrust |
| Manufacturer URL | http://www.nskamericas.com |
| Manufacturer Item Number | 51204 |
| Weight / LBS | 0.16976 |
| Outside Diameter | 1.575 Inch 40 Millimeter |
| Height | 0.551 Inch 14 Millimeter |
| Overall Height with Aligning Washer | 0 Inch 0 Millimeter |
| Bore 2 | 0.866 Inch 22 Millimeter |
| Bore 1 | 0.787 Inch 20 Millimeter |
| bore diameter: | 20 mm |
| static load capacity: | 8500 lbf |
| outside diameter: | 40 mm |
| dynamic load capacity: | 5050 lbf |
| overall width: | 14 mm |
| | |



NTN Bearing Driveshaft do Brasil

| | |
|------------------------------|---------------------|
| operating temperature range: | Maximum of +120 ° C |
| thrust bearing type: | Single-Direction |
| maximum rpm: | 6300 rpm |
| outside diameter design: | Straight |
| cage material: | Steel Cage |
| separable or banded: | Separable |
| fillet radius: | .6 mm |
| race type: | Flat |
| series: | 51200 |
| precision rating: | ABEC1, P0 |
| SRI | 3.9 |
| hidYobi | 51204 |
| LangID | 1 |
| D_ | 40 |
| SREX | 0.04 |
| C | 22.5 |
| B_ | 14 |
| hidTable | ecat_NSSDTB |
| Oil rpm | 6300 |
| SRE | 3.9 |
| mass | 0.077 |
| GRS rpm | 4300 |
| ra | 0.6 |
| SRIX | 0.04 |
| D_a | 28 |
| SRIN | 0 |
| C0 | 37.5 |
| SREN | 0 |
| D_1 | 22 |
| Prod_Type3 | TB_SD_WFS |
| da | 32 |
| DA_ | 7.144 |



NTN Bearing Driveshaft do Brasil

| | |
|------|-------|
| Z_ | 12 |
| yobi | 51204 |
| SDM_ | 30 |
| r | 0.6 |
| T_ | 14 |
| KBRG | 5111 |