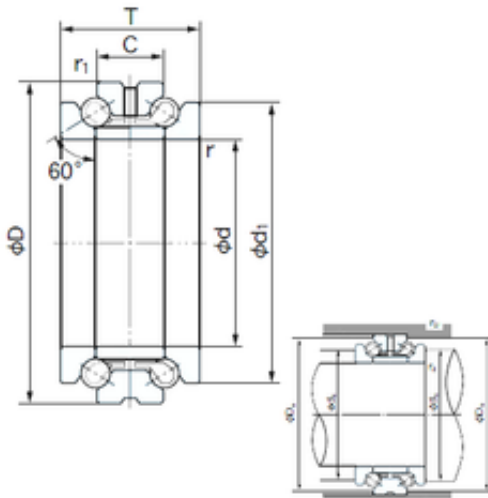




NTN Bearing Driveshaft do Brasil



85TAD20 Bearing 2D drawings and 3D CAD models

NACHI 85TAD20 thrust ball bearings

Bearing No. 85TAD20

Size	85x130x54 mm
Bore Diameter	85 mm
Outer Diameter	130 mm
Width	54 mm
d	85 mm
D	130 mm
T	54 mm
ra1 max.	0.6 mm
Angle (°)	60 °
d1	115 mm
r min.	1.1 mm
r1 min.	0.6 mm
C	27 mm
da min.	102 mm
Da max.	124 mm
ra max.	1 mm
Weight	2.31 Kg
Basic dynamic load rating (C)	51,5 kN
Basic static load rating (C0)	144 kN
(Grease) Lubrication Speed	3200 r/min