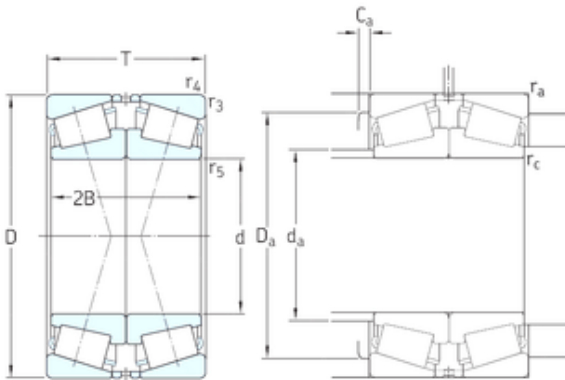




NTN Bearing Driveshaft do Brasil

200 mm x 310 mm x 70 mm 200 mm x 310 mm
x 70 mm SKF 32040X/DF tapered roller bearings

Bearing No. 32040X/DF



32040X/DF Bearing 2D drawings and 3D CAD models

Size	200x310x140 mm
Bore Diameter	200 mm
Outer Diameter	310 mm
Width	140 mm
d	200 mm
D	310 mm
T	140 mm
B	70 mm
r3 min.	2,5 mm
r4 min.	2,5 mm
r5 min.	1 mm
2B	140 mm
Ca max.	11 mm
da max	222 mm
Da min	273 mm
Da max.	296 mm
ra max.	2 mm
rc max.	1 mm
Weight	39 Kg
Basic dynamic load rating (C)	1280 kN
Basic static load rating (C0)	2750 kN
Fatigue load limit (Pu)	255
Reference speed	1100 r/min
Limiting speed	1900 r/min
Calculation factor (e)	0,43



NTN Bearing Driveshaft do Brasil

Calculation factor (Y0)	1,6
Calculation factor (Y1)	1,6