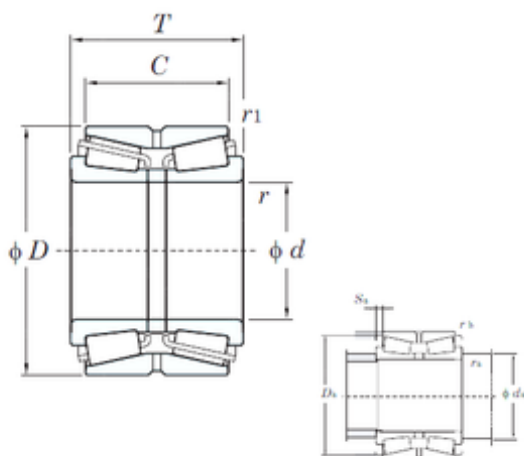




NTN Bearing Driveshaft do Brasil



KOYO 46T30220JR/67 tapered roller bearings

Bearing No. 46T30220JR/67

| | |
|-------------------------------|---------------|
| Size | 100x180x83 mm |
| Bore Diameter | 100 mm |
| Outer Diameter | 180 mm |
| Width | 83 mm |
| d | 100 mm |
| D | 180 mm |
| T | 83 mm |
| C | 67 mm |
| r min. | 2,5 mm |
| r1 min. | 1 mm |
| da min. | 114 mm |
| Da min | 168 mm |
| ra max. | 2,5 mm |
| rb max. | 1 mm |
| Weight | 8,33 Kg |
| Basic dynamic load rating (C) | 443 kN |
| Basic static load rating (C0) | 676 kN |
| (Grease) Lubrication Speed | 1700 r/min |
| (Oil) Lubrication Speed | 2200 r/min |
| Calculation factor (e) | 0,42 |
| Calculation factor (Y0) | 1,57 |
| Bearing No. | 46T30220JR/67 |
| r(min) | 2.5 |
| r1(min) | 1 |
| Cr | 554 |
| C0r | 676 |

46T30220JR/67 Bearing 2D drawings and 3D CAD models



NTN Bearing Driveshaft do Brasil

| | |
|-------------------|-------|
| Cu | 49.1 |
| Grease lub. | 1700 |
| Oil lub. | 2200 |
| da(min) | 114 |
| Da(min) | 174.5 |
| Sa(min) | 8 |
| ra(max) | 2.5 |
| rb(max) | 1 |
| e | 0.42 |
| Y2 | 1.61 |
| Y3 | 2.39 |
| Y0 | 1.57 |
| (Refer.) Mass(kg) | 8.33 |