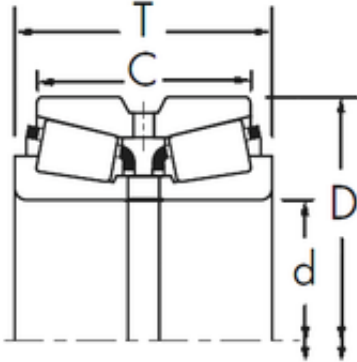




NTN Bearing Driveshaft do Brasil

Timken 87750/87112D+X1S-87750 tapered roller bearings

Bearing No. 87750/87112D+X1S-87750



87750/87112D+X1S-87750 Bearing 2D drawings and 3D CAD models

Size	190.5x282.575x107.95 mm
Bore Diameter	190,5 mm
Outer Diameter	282,575 mm
Width	107,95 mm
d	190,5 mm
D	282,575 mm
T	107,95 mm
C	79,375 mm
R	3,5 mm
r	1,5 mm