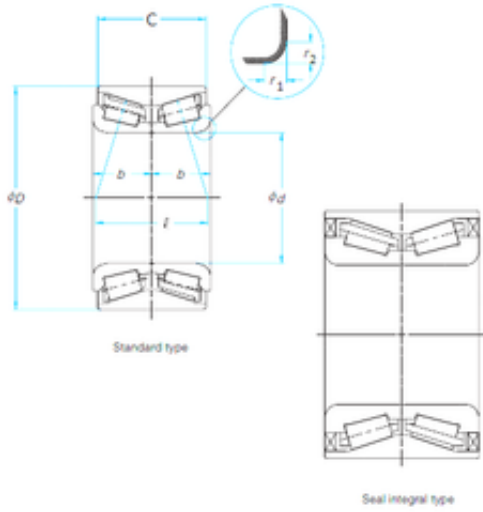




NTN Bearing Driveshaft do Brasil



35 mm x 62 mm x 52 mm 35 mm x 62 mm x 52 mm NTN 4T-CRI0778 tapered roller bearings

Bearing No. 4T-CRI0778

Size	35x62x52 mm
Bore Diameter	35 mm
Outer Diameter	62 mm
Width	52 mm
d	35 mm
D	62 mm
B	52 mm

4T-CRI0778 Bearing 2D drawings and 3D CAD models