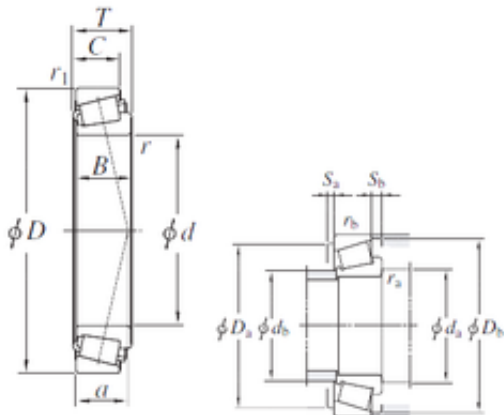




## NTN Bearing Driveshaft do Brasil

200,025 mm x 292,1 mm x 57,945 mm 200,025  
mm x 292,1 mm x 57,945 mm KOYO  
M241543/M241510 tapered roller bearings



M241543/M241510 Bearing 2D drawings and 3D CAD models

Bearing No. M241543/M241510

Size	200.025x292.1x57.945 mm
Bore Diameter	200,025 mm
Outer Diameter	292,1 mm
Width	57,945 mm
d	200,025 mm
D	292,1 mm
T	57,945 mm
B	57,945 mm
C	46,038 mm
a	52,6 mm
r min.	3,6 mm
r1 min.	3,2 mm
da min.	214 mm
Da min	267 mm
Da max.	279 mm
db max.	223 mm
ra max.	3,6 mm
rb max.	3,2 mm
Db	277 mm
Weight	12,1 Kg
Basic dynamic load rating (C)	545 kN
Basic static load rating (C0)	1030 kN
Calculation factor (e)	0,33
Calculation factor (Y0)	0,99



# NTN Bearing Driveshaft do Brasil