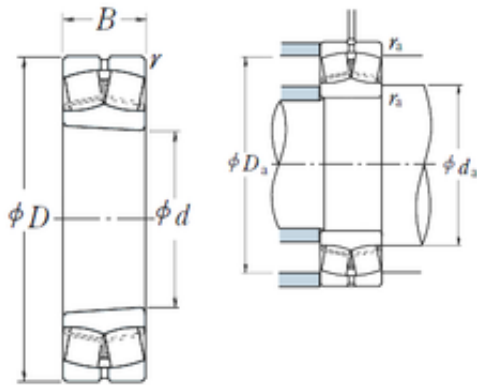




## NTN Bearing Driveshaft do Brasil



Tapered Bore

80 mm x 170 mm x 39 mm 80 mm x 170 mm x 39 mm NSK 21316EAKE4 spherical roller bearings

Bearing No. 21316EAKE4

21316EAKE4 Bearing 2D drawings and 3D CAD models

Size	80x170x39 mm
Bore Diameter	80 mm
Outer Diameter	170 mm
Width	39 mm
d	80 mm
D	170 mm
B	39 mm
C	39 mm
r min.	2,1 mm
da min.	92 mm
da max	109 mm
Da min	146 mm
Da max.	158 mm
ra max.	2 mm
Weight	4,32 Kg
Basic dynamic load rating (C)	284 kN
Basic static load rating (C0)	375 kN
(Grease) Lubrication Speed	2800 r/min
(Oil) Lubrication Speed	3600 r/min
Calculation factor (e)	0,23
Calculation factor (Y0)	2,9
Calculation factor (Y2)	4,4
Category	Spherical Roller Bearings
Inventory	0.0
Manufacturer Name	NSK



## NTN Bearing Driveshaft do Brasil

Minimum Buy Quantity	N/A
Weight / Kilogram	4.18
EAN	0029176416163
Product Group	B04311
Internal Clearance	C0-Medium
Mounting Method	Adapter Mount
Rolling Element	Spherical Roller Bearing
Bore Profile	Tapered
Cage Material	Steel
Enclosure	Open
Number of Rows of Rollers	Double Row
Relubricatable	Yes
Withdrawal Sleeve	AH316 (Specify bore)
Inch - Metric	Metric
Long Description	80MM Tapered Bore; 170MM Outside Diameter; 39MM Width; C0-Medium Clearance; Adapter Mount; Double Row of Spherical Roller Bearings; Steel Cage Material; Open Enclosure; Relubricatable; Adapter Part Nu
Other Features	Order adapter or withdrawal sleeve or nut separately. Others may be available
Category	Spherical Roller Bearing
UNSPSC	31171510
Harmonized Tariff Code	84823080
Noun	Bearing
Keyword String	Spherical
Manufacturer URL	<a href="http://www.nskamericas.com">http://www.nskamericas.com</a>
Manufacturer Item Number	21316EAKE4
Weight / LBS	0



## NTN Bearing Driveshaft do Brasil

Bore	3.15 Inch   80 Millimeter
Outside Diameter	6.693 Inch   170 Millimeter
Adapter Part Number	SNW16 H316 HA316 HE316 (Specify Bore) Inch   H316 (Specify bore) Millimeter
Width	1.535 Inch   39 Millimeter
Y3	3
hidYobi	21316EAKE4
LangID	1
Y1	2.9
D_	170
Y2	4.4
Macha rpm	4800
B_	39
da min	92
hidTable	ecat_NSSPHR
Oil rpm	3800
Y0	2.9
mass	4.32
GRS rpm	3000
ra	2
TSR rpm	3800
C0	375
DE_	148.32
X0	1
Prod_Type3	SRB_CTB_TB
X1	1
X2	0.67
SIR	15.65
e	0.23
DA_	18.74
bomp	21316EAKE4



## NTN Bearing Driveshaft do Brasil

Z_	19
ALP2	35
ALP1	8
ALP3	0
D_a max	158
D_a min	146
yobi	21316EAKE4
HPS	HPS
ALPHA_	0.15
SDM_	129.79
r	2.1
KBRG	2328
SBRG	3
DI_	111.26