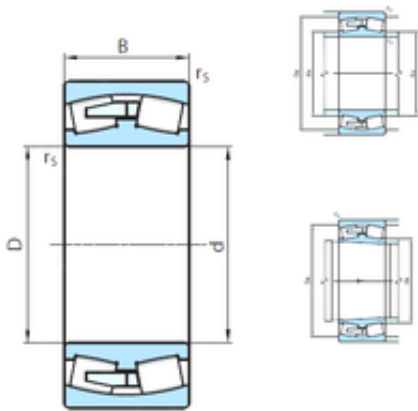




NTN Bearing Driveshaft do Brasil

200 mm x 310 mm x 82 mm 200 mm x 310 mm
x 82 mm PSL 23040MB spherical roller bearings



Bearing No. 23040MB

Size	200x310x82 mm
Bore Diameter	200 mm
Outer Diameter	310 mm
Width	82 mm
d	200 mm
D	310 mm
B	82 mm
C	82 mm
r min.	2,1 mm
da min.	212 mm
Da min	279 mm
Da max.	298 mm
ra max.	2 mm
Weight	24,1 Kg
Basic dynamic load rating (C)	915 kN
Basic static load rating (C0)	1600 kN
(Grease) Lubrication Speed	890 r/min
(Oil) Lubrication Speed	1100 r/min
Calculation factor (e)	0,23
Calculation factor (Y0)	2,8
Calculation factor (Y1)	2,9

23040MB Bearing 2D drawings and 3D CAD models