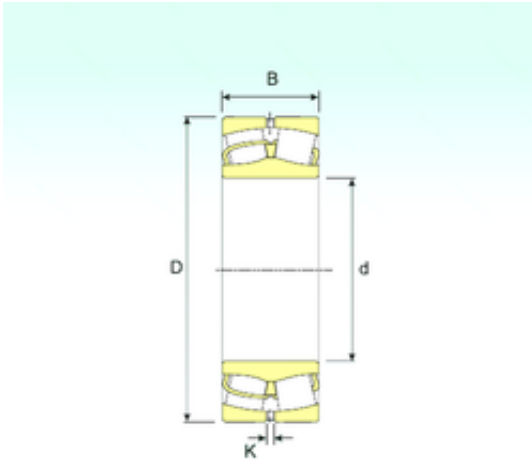




## NTN Bearing Driveshaft do Brasil



24148 Bearing 2D drawings and 3D CAD models

240 mm x 400 mm x 160 mm 240 mm x 400 mm  
x 160 mm ISB 24148 spherical roller bearings

Bearing No. 24148

Size	240x400x160 mm
Bore Diameter	240 mm
Outer Diameter	400 mm
Width	160 mm
d	240 mm
D	400 mm
B	160 mm
C	160 mm
K	6 mm
Weight	83 Kg
Basic dynamic load rating (C)	2352 kN
Basic static load rating (C0)	3822 kN
(Grease) Lubrication Speed	994,5 r/min