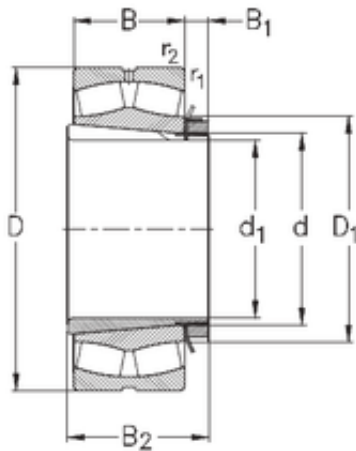




NTN Bearing Driveshaft do Brasil



160 mm x 240 mm x 60 mm 160 mm x 240 mm
x 60 mm NKE 23032-K-MB-W33+H3032
spherical roller bearings

Bearing No. 23032-K-MB-W33+H3032

23032-K-MB-W33+H3032 Bearing 2D drawings and 3D
CAD models

Size	160x240x60 mm
Bore Diameter	160 mm
Outer Diameter	240 mm
Width	60 mm
d	160 mm
d1	140 mm
D	240 mm
B	60 mm
C	60 mm
r1 min.	2,1 mm
r2 min.	2,1 mm
B1	28 mm
B2	93 mm
D1	190 mm
Weight	14 Kg
Basic dynamic load rating (C)	521 kN
Basic static load rating (C0)	903 kN
Limiting speed	3000 r/min
Calculation factor (e)	0,24
Calculation factor (Y0)	2,6
Calculation factor (Y1)	2,8