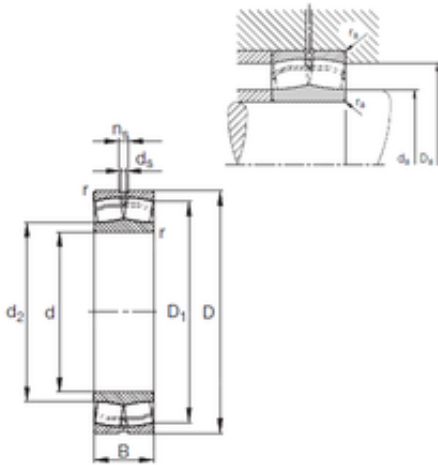




## NTN Bearing Driveshaft do Brasil

440 mm x 720 mm x 280 mm 440 mm x 720 mm  
x 280 mm FAG 24188-E1 spherical roller bearings

Bearing No. 24188-E1



24188-E1 Bearing 2D drawings and 3D CAD models

Size	440x720x280 mm
Bore Diameter	440 mm
Outer Diameter	720 mm
Width	280 mm
d	440 mm
D	720 mm
B	280 mm
C	280 mm
n	23,5 mm
r min.	6 mm
D1	613,7 mm
da min.	466 mm
Da max.	694 mm
ra max.	5 mm
d5	12,5 r/min
Weight	442 Kg
Basic dynamic load rating (C)	7600 kN
Basic static load rating (C0)	12900 kN
Fatigue load limit (Pu)	910
Reference speed	260 r/min
Limiting speed	560 r/min
Calculation factor (e)	0,38
Calculation factor (Y0)	1,74
Calculation factor (Y1)	1,78
Calculation factor (Y2)	2,65



# NTN Bearing Driveshaft do Brasil