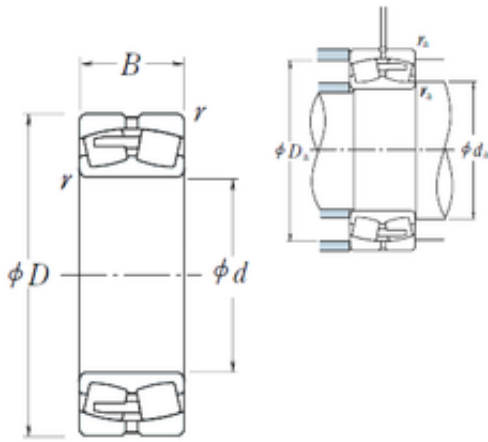




NTN Bearing Driveshaft do Brasil



360 mm x 600 mm x 243 mm 360 mm x 600 mm
x 243 mm NSK 24172CAE4 spherical roller
bearings

Bearing No. 24172CAE4

24172CAE4 Bearing 2D drawings and 3D CAD models

Size	360x600x243 mm
Bore Diameter	360 mm
Outer Diameter	600 mm
Width	243 mm
d	360 mm
D	600 mm
B	243 mm
C	243 mm
r min.	5 mm
da min.	382 mm
Da min	507 mm
Da max.	578 mm
ra max.	4 mm
Weight	264 Kg
Basic dynamic load rating (C)	4200 kN
Basic static load rating (C0)	8000 kN
(Grease) Lubrication Speed	400 r/min
(Oil) Lubrication Speed	530 r/min
Calculation factor (e)	0,4
Calculation factor (Y0)	1,7
Calculation factor (Y2)	2,5