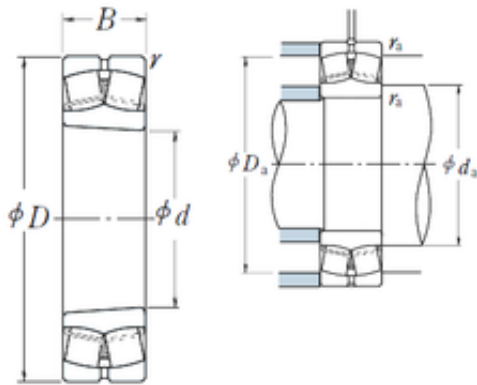




NTN Bearing Driveshaft do Brasil



Tapered Bore

65 mm x 140 mm x 48 mm 65 mm x 140 mm x 48 mm NSK 22313EAKE4 spherical roller bearings

Bearing No. 22313EAKE4

22313EAKE4 Bearing 2D drawings and 3D CAD models

Size	65x140x48 mm
Bore Diameter	65 mm
Outer Diameter	140 mm
Width	48 mm
d	65 mm
D	140 mm
B	48 mm
C	48 mm
r min.	2,1 mm
da min.	77 mm
da max	84 mm
Da min	119 mm
Da max.	128 mm
ra max.	2 mm
Weight	3,52 Kg
Basic dynamic load rating (C)	300 kN
Basic static load rating (C0)	380 kN
(Grease) Lubrication Speed	3000 r/min
(Oil) Lubrication Speed	3800 r/min
Calculation factor (e)	0,33
Calculation factor (Y0)	2
Calculation factor (Y2)	3
Category	Spherical Roller Bearings
Inventory	0.0
Manufacturer Name	NSK



NTN Bearing Driveshaft do Brasil

Minimum Buy Quantity	N/A
Weight / Kilogram	3.5
EAN	0029176411755
Product Group	B04311
Internal Clearance	C0-Medium
Mounting Method	Adapter Mount
Rolling Element	Spherical Roller Bearing
Bore Profile	Tapered
Cage Material	Steel
Enclosure	Open
Number of Rows of Rollers	Double Row
Relubricatable	Yes
Withdrawal Sleeve	AH2313 (Specify bore)
Inch - Metric	Metric
Long Description	65MM Tapered Bore; 140MM Outside Diameter; 48MM Width; C0-Medium Clearance; Adapter Mount; Double Row of Spherical Roller Bearings; Steel Cage Material; Open Enclosure; Relubricatable; Adapter Part Nu
Other Features	Order adapter or withdrawal sleeve or nut separately. Others may be available
Category	Spherical Roller Bearing
UNSPSC	31171510
Harmonized Tariff Code	84823080
Noun	Bearing
Keyword String	Spherical
Manufacturer URL	http://www.nskamericas.com
Manufacturer Item Number	22313EAKE4
Weight / LBS	3.5



NTN Bearing Driveshaft do Brasil

Bore	2.559 Inch 65 Millimeter
Adapter Part Number	SNW113 H2313 HA2313 HE2313 (Specify Bore) Inch H2313 (Specify bore) Millimeter
Outside Diameter	5.512 Inch 140 Millimeter
Width	1.89 Inch 48 Millimeter
bore diameter:	65 mm
maximum rpm:	4000 RPM
outside diameter:	140 mm
operating temperature range:	Maximum of +200 ° C
overall width:	48 mm
cage material:	Steel
bore type:	Tapered 1:12
bearing material:	Steel
outer ring type:	Not Split
cage type:	Inner Ring Guided
internal clearance:	C0
precision rating:	RBEC 1 (ISO Class Normal)
closure type:	Open
finish/coating:	Uncoated
lubrication hole type:	Lubrication Groove & Hole
outer ring width:	48 mm
dynamic load capacity:	375000 N
fillet radius:	2.1 mm
static load capacity:	380000 N
series:	223
Y3	2
hidYobi	22313EAKE4
LangID	1
Y1	2
D_	140



NTN Bearing Driveshaft do Brasil

Y2	3
Macha rpm	5000
B_	48
da min	77
hidTable	ecat_NSSPHR
Oil rpm	4000
Y0	2
mass	3.52
GRS rpm	3200
ra	2
TSR rpm	3800
C0	380
DE_	124.145
X0	1
Prod_Type3	SRB_CTB_TB
X1	1
X2	0.67
SIR	19.53
e	0.34
DA_	18.6
bomp	22313EAKE4
Z_	16
ALP2	35
ALP1	12
ALP3	0
D_a max	128
D_a min	119
yobi	22313EAKE4
HPS	HPS
ALPHA_	0.22
SDM_	105.991
r	2.1



NTN Bearing Driveshaft do Brasil

KBRG	2328
SBRG	23
DI_	87.838