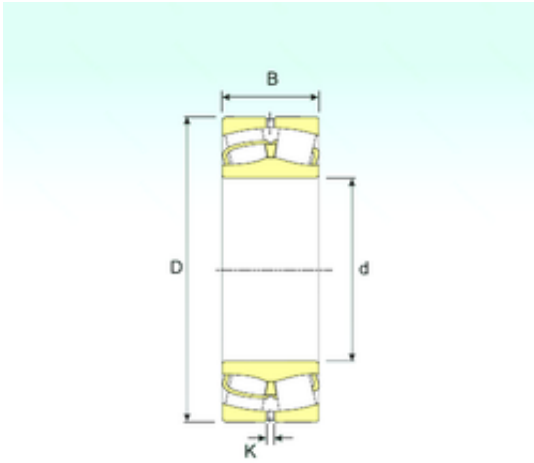




NTN Bearing Driveshaft do Brasil



23120 Bearing 2D drawings and 3D CAD models

100 mm x 165 mm x 52 mm 100 mm x 165 mm
x 52 mm ISB 23120 spherical roller bearings

Bearing No. 23120

Size	100x165x52 mm
Bore Diameter	100 mm
Outer Diameter	165 mm
Width	52 mm
d	100 mm
D	165 mm
B	52 mm
C	52 mm
K	3 mm
Weight	4,55 Kg
Basic dynamic load rating (C)	358 kN
Basic static load rating (C0)	480 kN
(Grease) Lubrication Speed	3060 r/min