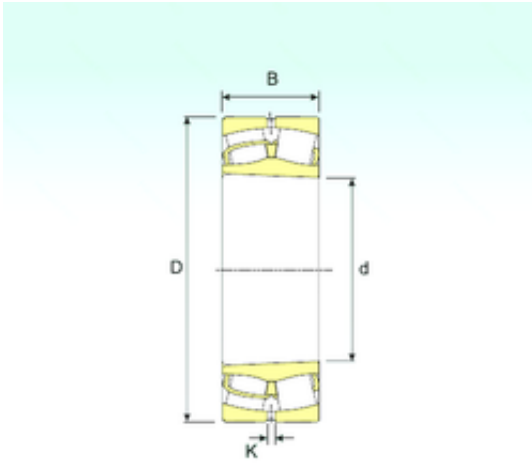




NTN Bearing Driveshaft do Brasil



22309 K Bearing 2D drawings and 3D CAD models

45 mm x 100 mm x 36 mm 45 mm x 100 mm x 36 mm ISB 22309 K spherical roller bearings

Bearing No. 22309 K

Size	45x100x36 mm
Bore Diameter	45 mm
Outer Diameter	100 mm
Width	36 mm
d	45 mm
D	100 mm
B	36 mm
C	36 mm
K	3 mm
Weight	1,4 Kg
Basic dynamic load rating (C)	179 kN
Basic static load rating (C0)	179 kN
(Grease) Lubrication Speed	5355 r/min