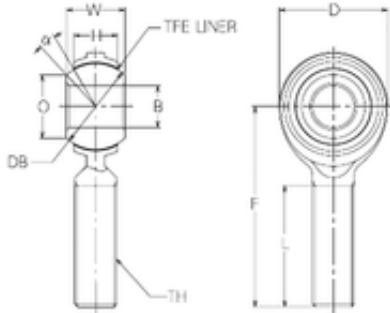




## NTN Bearing Driveshaft do Brasil

28 mm x 62 mm x 28 mm 28 mm x 62 mm x 28 mm NMB RBT28E plain bearings



Bearing No. RBT28E

Bore Diameter	28 mm
Width	28 mm
d	28 mm
Db	47,63 mm
O	32,3 mm
B	28 mm
D	62 mm
F	103 mm
H	24 mm
L	62 mm
W	35 mm
Angle	17 °
Thread (TH)	M27 × 2,0
Weight	1 Kg
Basic static load rating (C0)	83,35 kN

RBT28E Bearing 2D drawings and 3D CAD models