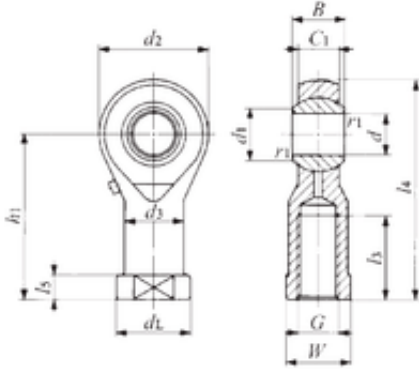




NTN Bearing Driveshaft do Brasil

IKO PHSA 18 plain bearings



PHSA 18 Bearing 2D drawings and 3D CAD models

Bearing No. PHSA 18

Bore Diameter	18 mm
d	18 mm
L4	93,5 mm
L5	10 mm
dL	31 mm
L3	40 mm
d1	21,9 mm
d2	45 mm
d3	25 mm
h1	71 mm
r1 min.	0,3 mm
B	23 mm
C1	16,5 mm
W	27 mm
Thread (G)	M18 × 1,5
Weight	0,29 Kg
Basic dynamic load rating (C)	31,75 kN