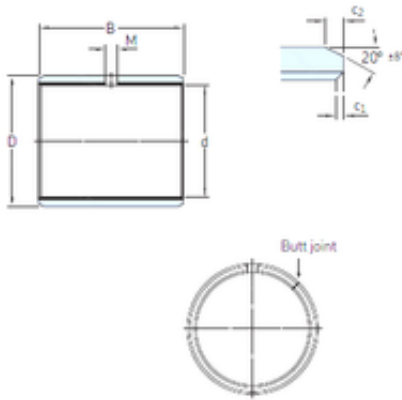




NTN Bearing Driveshaft do Brasil



11,113 mm x 13,494 mm x 19,05 mm 11,113
mm x 13,494 mm x 19,05 mm SKF PCZ 0712 E
plain bearings

Bearing No. PCZ 0712 E

Size	11.113x13.494x19.05 mm
Bore Diameter	11,113 mm
Outer Diameter	13,494 mm
Width	19,05 mm
d	11,113 mm
D	13,494 mm
B	19,05 mm
c1 min	0,1 mm
c2 min	0,2 mm
M	– mm
Weight	0,0065 Kg
Basic dynamic load rating (C)	17 kN
c ₁ min.	0.1 mm
c ₁ max.	0.6 mm
c ₂ min.	0.2 mm
c ₂ max.	1 mm
± 8	20 °
Shaft diameter range min.	11.062 mm
Shaft diameter range max.	11.087 mm
Housing bore range min.	13.485 mm
Housing bore range max.	13.503 mm
Basic dynamic load rating - radial direction C	17 kN
Basic static load rating - radial direction C ₀	53 kN

PCZ 0712 E Bearing 2D drawings and 3D CAD models



NTN Bearing Driveshaft do Brasil

Specific dynamic load factor K	80 N/mm ²
Specific static load factor K ₀	250 N/mm ²
Factor depending on material and bearing type K _M	480
Permissible sliding velocity v min.	0 m/s
Permissible sliding velocity v max.	2 m/s
Coefficient of friction μ min.	0.03
Coefficient of friction μ max.	0.25
Mass bushing	0.0065 kg