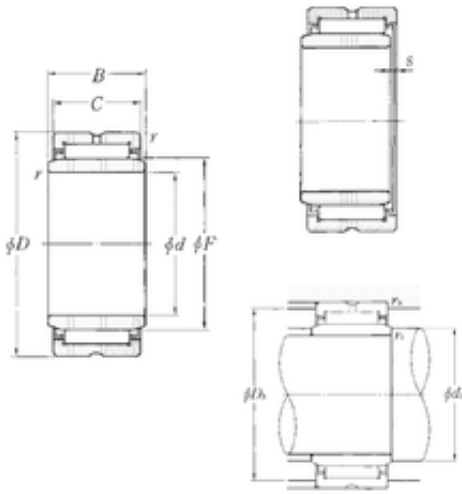




## NTN Bearing Driveshaft do Brasil



12,7 mm x 31,75 mm x 25,65 mm 12,7 mm x  
31,75 mm x 25,65 mm NTN  
MR122016+MI-081216 needle roller bearings

Bearing No. MR122016+MI-081216

Size	12.7x31.75x25.65 mm
Bore Diameter	12,7 mm
Outer Diameter	31,75 mm
Width	25,65 mm
d	12,7 mm
F	19,05 mm
D	31,75 mm
B	25,65 mm
C	25,4 mm
r min.	1 mm
s	2 mm
da min.	17,5 mm
Da max.	26,5 mm
ra max.	1 mm
Weight	0,105 Kg
Basic dynamic load rating (C)	25 kN
Basic static load rating (C0)	29,1 kN
(Grease) Lubrication Speed	14 000 r/min

MR122016+MI-081216 Bearing 2D drawings and 3D CAD models