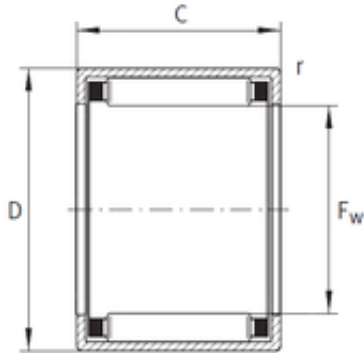




NTN Bearing Driveshaft do Brasil

INA SCE2012 needle roller bearings



SCE2012 Bearing 2D drawings and 3D CAD models

Bearing No. SCE2012

Size	31.75x38.1x19.05 mm
Bore Diameter	31,75 mm
Outer Diameter	38,1 mm
Width	19,05 mm
Fw	31,75 mm
D	38,1 mm
C	19,05 mm
Weight	0,037 Kg
Basic dynamic load rating (C)	21,1 kN
Basic static load rating (C0)	39,5 kN
Category	Needle Non Thrust Roller Bearings
Inventory	10.0
Manufacturer Name	SCHAEFFLER GROUP
Minimum Buy Quantity	N/A
Weight / Kilogram	0.04
EAN	4012802069976
Product Group	B04144
Rolling Element	Needle Roller Bearing
Component	Roller Assembly with Outer Ring - No Inner Ring
Enclosure	Open
Self Aligning	No
Retainer	Yes
Number of Rows of Rollers	Single Row
Separable	No



NTN Bearing Driveshaft do Brasil

Closed End	No
Inch - Metric	Inch
Relubricatable	No
Thrust Bearing	No
Long Description	1-1/4" Bore; 1-1/2" Outside Diameter; 3/4" Width; Needle Roller Bearing; Roller Assembly with Outer Ring - No Inner Ring; Open; Not Self Aligning; Retainer; Single Row of Rollers; Not S
Other Features	2 Rib Outer Ring Drawn Cup Bearing Steel Cage
Category	Needle Non Thrust Roller Bearing
UNSPSC	31171512
Harmonized Tariff Code	8482.99.65.30
Noun	Roller Assembly with Outer Ring
Keyword String	Bearing Needle
Manufacturer URL	http://www.ina.com
Manufacturer Item Number	SCE2012
Weight / LBS	0.082
Width	0.75 Inch 19.05 Millimeter
Bore	1.25 Inch 31.75 Millimeter
Outside Diameter	1.5 Inch 38.1 Millimeter