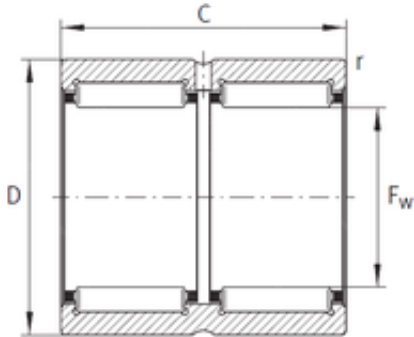




NTN Bearing Driveshaft do Brasil

INA RNA6915-ZW-XL needle roller bearings



RNA6915-ZW-XL Bearing 2D drawings and 3D CAD models

Bearing No. RNA6915-ZW-XL

Size	85x105x54 mm
Bore Diameter	85 mm
Outer Diameter	105 mm
Width	54 mm
Fw	85 mm
D	105 mm
C	54 mm
r min.	1 mm
Weight	0,935 Kg
Basic dynamic load rating (C)	147 kN
Basic static load rating (C0)	275 kN
Fatigue load limit (Pu)	49,5
Reference speed	3 600 r/min
Category	Needle Non Thrust Roller Bearings
Inventory	0.0
Manufacturer Name	SCHAEFFLER GROUP
Minimum Buy Quantity	N/A
Weight / Kilogram	1.12
EAN	4012802623048
Product Group	B04144
Rolling Element	Needle Roller Bearing
Component	Roller Assembly with Outer Ring - No Inner Ring
Enclosure	Open
Self Aligning	No



NTN Bearing Driveshaft do Brasil

Retainer	Yes
Number of Rows of Rollers	Double Row
Separable	No
Closed End	No
Inch - Metric	Metric
Relubricatable	Yes
Thrust Bearing	No
Long Description	85MM Bore; 105MM Outside Diameter; 54MM Width; Needle Roller Bearing; Roller Assembly with Outer Ring - No Inner Ring; Open Enclosure; No Self Aligning; Retainer; Double Row of Rollers; No Separable;
Other Features	2 Rib Outer Ring Precision Bearing Steel Cage Ground Raceway with Rib Oil Hole
Category	Needle Non Thrust Roller Bearing
UNSPSC	31171512
Harmonized Tariff Code	8482.40.00.00
Noun	Bearing
Keyword String	Needle
Manufacturer URL	http://www.ina.com
Manufacturer Item Number	RNA6915
Weight / LBS	2.062
Width	2.126 Inch 54 Millimeter
Outside Diameter	4.134 Inch 105 Millimeter
Bore	3.346 Inch 85 Millimeter