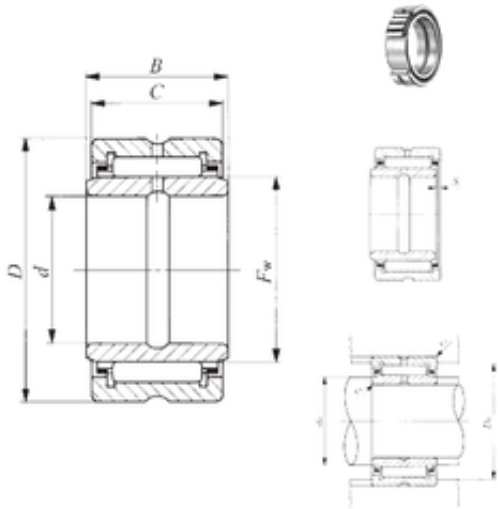




NTN Bearing Driveshaft do Brasil



22,225 mm x 41,275 mm x 25,65 mm 22,225
mm x 41,275 mm x 25,65 mm IKO BRI 142616
needle roller bearings

Bearing No. BRI 142616

Size	22.225x41.275x25.65 mm
Bore Diameter	22,225 mm
Outer Diameter	41,275 mm
Width	25,65 mm
d	22,225 mm
Fw	28,575 mm
D	41,275 mm
B	25,65 mm
C	25,4 mm
da min.	27 mm
da max	27,5 mm
Da max.	36 mm
ra max.	1 mm
S	0,5 mm
Weight	0,152 Kg
Basic dynamic load rating (C)	34,9 kN
Basic static load rating (C0)	49,9 kN

BRI 142616 Bearing 2D drawings and 3D CAD models