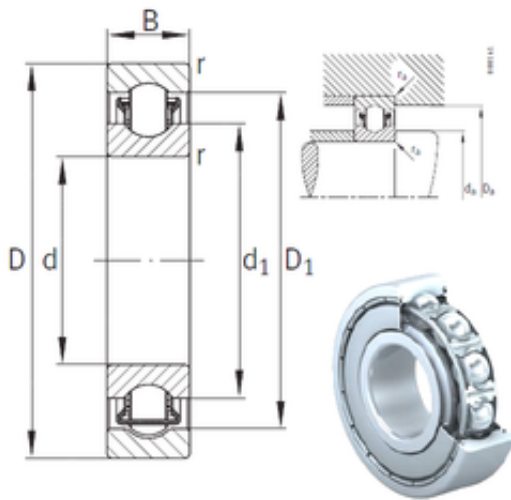




## NTN Bearing Driveshaft do Brasil



12 mm x 28 mm x 8 mm 12 mm x 28 mm x 8 mm INA BXRE001-2Z needle roller bearings

Bearing No. BXRE001-2Z

Size	12x28x8 mm
Bore Diameter	12 mm
Outer Diameter	28 mm
Width	8 mm
d	12 mm
D	28 mm
B	8 mm
C	8 mm
d1	17,6 mm
r min.	0,3 mm
D1	23,1 mm
da min.	14 mm
Da max.	26 mm
ra max.	0,3 mm
Weight	0,023 Kg
Basic dynamic load rating (C)	7,7 kN
Basic static load rating (C0)	4,2 kN
Fatigue load limit (Pu)	214

BXRE001-2Z Bearing 2D drawings and 3D CAD models