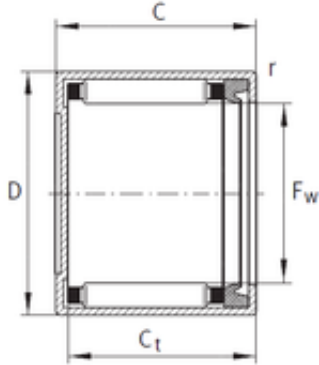




NTN Bearing Driveshaft do Brasil

INA BK2018-RS" needle roller bearings



Bearing No. BK2018-RS"

Size	20x26x20 mm
Bore Diameter	20 mm
Outer Diameter	26 mm
Width	20 mm
Fw	20 mm
D	26 mm
C	20 mm
r min.	0,8 mm
C1	15,3 mm
Weight	0,024 Kg
Basic dynamic load rating (C)	12,7 kN
Basic static load rating (C0)	20,1 kN
Fatigue load limit (Pu)	2,5

BK2018-RS" Bearing 2D drawings and 3D CAD models