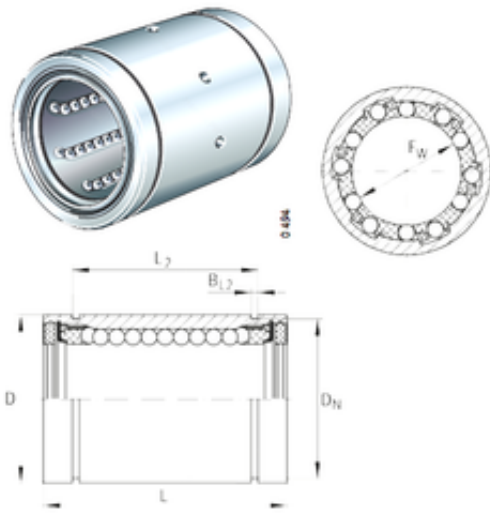




NTN Bearing Driveshaft do Brasil

INA KB40 linear bearings

Bearing No. KB40



KB40 Bearing 2D drawings and 3D CAD models

Bore Diameter	40 mm
Outer Diameter	62 mm
Fw	40 mm
D	62 mm
Dn	59 mm
L2	60,3 mm
N2	3 mm
L	80 mm
BL2	2,15 mm
Weight	0,6 Kg
Basic dynamic load rating (C)	6,4 kN