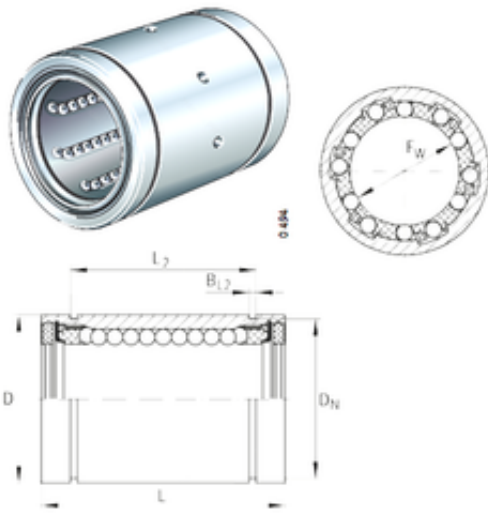




# NTN Bearing Driveshaft do Brasil

## INA KBS16-PP linear bearings

Bearing No. KBS16-PP



KBS16-PP Bearing 2D drawings and 3D CAD models

|                               |         |
|-------------------------------|---------|
| Bore Diameter                 | 16 mm   |
| Outer Diameter                | 26 mm   |
| Fw                            | 16 mm   |
| D                             | 26 mm   |
| Dn                            | 24,9 mm |
| L2                            | 24,6 mm |
| B3                            | 1 mm    |
| N2                            | 2 mm    |
| L                             | 36 mm   |
| BL2                           | 1,3 mm  |
| Angle (X)                     | 54      |
| Weight                        | 0,05 Kg |
| Basic dynamic load rating (C) | 0,84 kN |