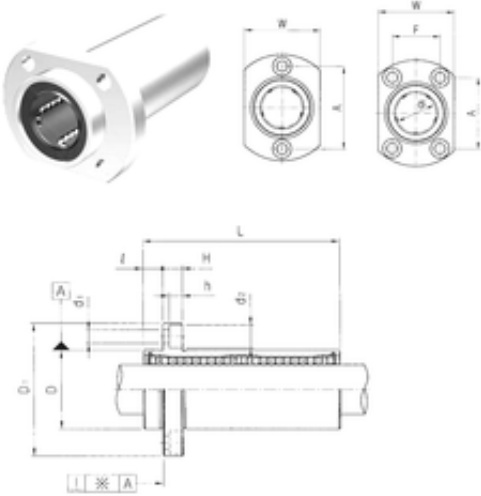




# NTN Bearing Driveshaft do Brasil



LMHP12L Bearing 2D drawings and 3D CAD models

## Samick LMHP12L linear bearings

Bearing No. LMHP12L

Bore Diameter	12 mm
Outer Diameter	21 mm
d	12 mm
D	21 mm
d1	4,5 mm
d2	8 mm
h	4,4 mm
A	32 mm
D1	42 mm
H	6 mm
L	57 mm
W	27 mm
	6 Tolerance h14
Tolerance perpendicularity (C)	15
Weight	0,1 Kg
Basic dynamic load rating (C)	0,65 kN