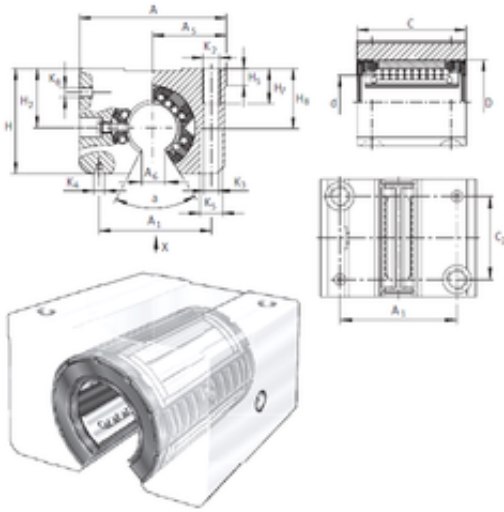




## NTN Bearing Driveshaft do Brasil



KGSNO50-PP-AS Bearing 2D drawings and 3D CAD models

### INA KGSNO50-PP-AS linear bearings

Bearing No. KGSNO50-PP-AS

|                               |          |
|-------------------------------|----------|
| Bore Diameter                 | 50 mm    |
| Outer Diameter                | 75 mm    |
| d                             | 50 mm    |
| D                             | 75 mm    |
| A6                            | 22,7 mm  |
| H5                            | 11,1 mm  |
| H7                            | 35 mm    |
| H8                            | 49 mm    |
| K2                            | 13,5 mm  |
| K3                            | 4 mm     |
| K4                            | X8,5     |
| K5                            | 20 mm    |
| Thread (K2)                   | M16      |
| Thread (K8)                   | NIP 6 MZ |
| A5                            | 66 mm    |
| Angle (?)                     | 54 °     |
| A                             | 132 mm   |
| A1                            | 108 mm   |
| C                             | 100 mm   |
| H                             | 88 mm    |
| H2                            | 50 mm    |
| C2                            | 50 mm    |
| Weight                        | 2,4 Kg   |
| Basic dynamic load rating (C) | 15,1 kN  |