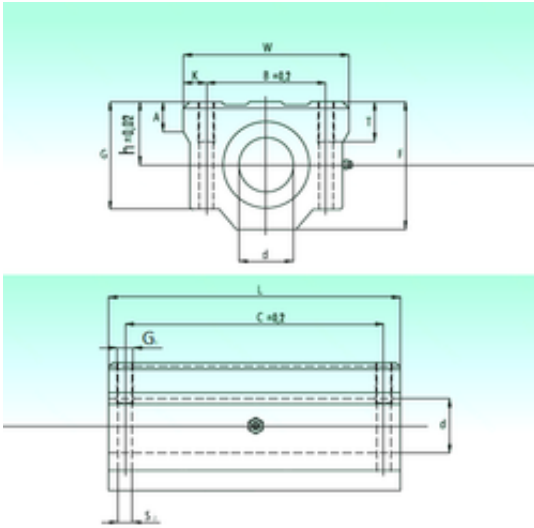




# NTN Bearing Driveshaft do Brasil



SCW 12-UU Bearing 2D drawings and 3D CAD models

## NBS SCW 12-UU linear bearings

Bearing No. SCW 12-UU

Bore Diameter	12 mm
d	12 mm
Thread (G1)	M5
h	15 mm
A	8 mm
B	33 mm
C	64 mm
F	30 mm
G	26 mm
K	5,5 mm
L	77 mm
S2	4,3 mm
T	10 mm
W	44 mm
Weight	0,205 Kg
Basic dynamic load rating (C)	0,67 kN