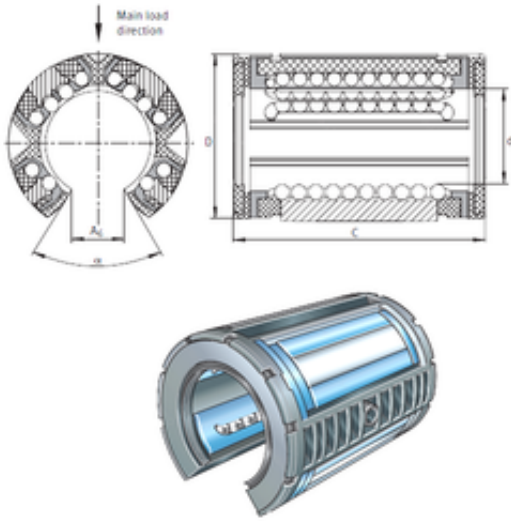




NTN Bearing Driveshaft do Brasil



INA KSO40 linear bearings

Bearing No. KSO40

Size	40x62x80 mm
Bore Diameter	40 mm
Outer Diameter	62 mm
Width	80 mm
d	40 mm
D	62 mm
C	80 mm
A6	18,2 mm
H10	1,5 mm
K4	3 mm
K1	3,5 mm
Angle (?)	54 °
Weight	0,259 Kg
Basic dynamic load rating (C)	10,2 kN

KSO40 Bearing 2D drawings and 3D CAD models