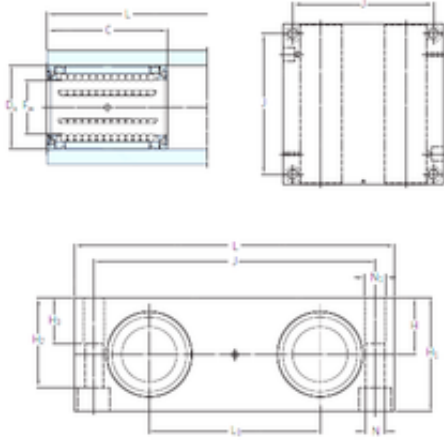




NTN Bearing Driveshaft do Brasil



SKF LQCD 30-2LS linear bearings

Bearing No. LQCD 30-2LS

Bore Diameter	30 mm
Width	68 mm
Fw	30 mm
H3	26 mm
Da	47 mm
C	68 mm
H	32 mm
H1	64 mm
H2	50,5 mm
J	158 mm
L	96 mm
N	10,5 mm
J1	180 mm
Thread (N1)	M12
Weight	4,27 Kg
Basic dynamic load rating (C)	12,2 kN

LQCD 30-2LS Bearing 2D drawings and 3D CAD models