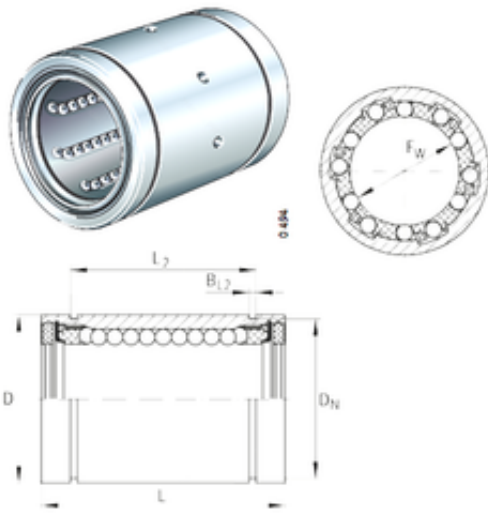




NTN Bearing Driveshaft do Brasil

INA KB30 linear bearings

Bearing No. KB30



KB30 Bearing 2D drawings and 3D CAD models

Bore Diameter	30 mm
Outer Diameter	47 mm
Fw	30 mm
D	47 mm
Dn	44,5 mm
L2	51,7 mm
N2	2,5 mm
L	68 mm
BL2	1,85 mm
Weight	0,3 Kg
Basic dynamic load rating (C)	3,8 kN