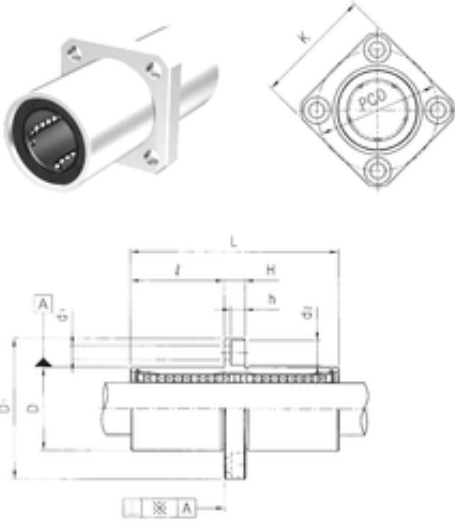




NTN Bearing Driveshaft do Brasil



LMKM16UU Bearing 2D drawings and 3D CAD models

Samick LMKM16UU linear bearings

Bearing No. LMKM16UU

Bore Diameter	16 mm
Outer Diameter	28 mm
d	16 mm
D	28 mm
d1	4,5 mm
d2	8 mm
h	4,4 mm
D1	48 mm
H	6 mm
K	37 mm
L	70 mm
PCD	38 mm
	32 Tolerance h14
Tolerance perpendicularity (C)	15
Weight	0,187 Kg
Basic dynamic load rating (C)	1,23 kN