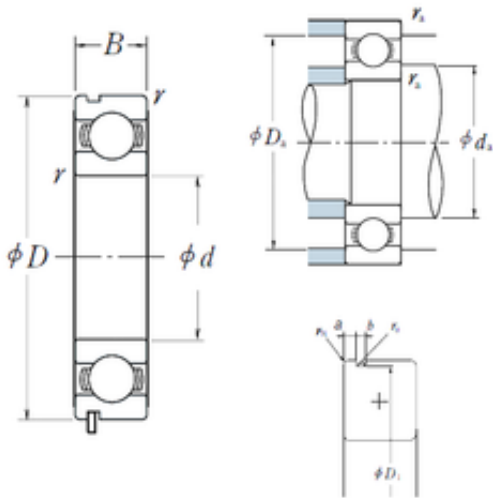




NTN Bearing Driveshaft do Brasil



32 mm x 75 mm x 20 mm 32 mm x 75 mm x 20 mm NSK 63/32N deep groove ball bearings

Bearing No. 63/32N

63/32N Bearing 2D drawings and 3D CAD models

Size	32x75x20 mm
Bore Diameter	32 mm
Outer Diameter	75 mm
Width	20 mm
d	32 mm
D	75 mm
B	20 mm
C	20 mm
rn	0,5 mm
a	3,28 mm
b	1,9 mm
r min.	1,1 mm
r0 max.	0,6 mm
D1	71,83 mm
da min.	38,5 mm
da max	44,5 mm
Da max.	68,5 mm
ra max.	1 mm
Weight	0,389 Kg
Basic dynamic load rating (C)	29,9 kN
Basic static load rating (C0)	17 kN
(Grease) Lubrication Speed	9 000 r/min
(Oil) Lubrication Speed	11 000 r/min
Category	Single Row Ball Bearings
Inventory	0.0



NTN Bearing Driveshaft do Brasil

Manufacturer Name	NSK
Minimum Buy Quantity	N/A
Weight / Kilogram	0.385
Product Group	B00308
Enclosure	Open
Precision Class	ABEC 1 ISO P0
Maximum Capacity / Filling Slot	No
Rolling Element	Ball Bearing
Snap Ring	Yes
Internal Special Features	No
Cage Material	Steel
Internal Clearance	C0-Medium
Inch - Metric	Metric
Long Description	32MM Bore; 75MM Outside Diameter; 20MM Outer Race Width; Open; Ball Bearing; ABEC 1 ISO P0; No Filling Slot; Yes Snap Ring; No Internal Special Features; C0-Medium Internal Clearance; Steel Cage
Other Features	Deep Groove With Snap Ring Groove
Category	Single Row Ball Bearing
UNSPSC	31171504
Harmonized Tariff Code	8482.10.50.68
Noun	Bearing
Keyword String	Ball
Manufacturer URL	http://www.nskamericas.com
Weight / LBS	0.8577
Outer Race Width	0.787 Inch 20 Millimeter
Bore	1.26 Inch 32 Millimeter
Outside Diameter	2.953 Inch 75 Millimeter



NTN Bearing Driveshaft do Brasil

Inner Race Width	0 Inch 0 Millimeter
SRI	6.41
hidYobi	63/32N
LangID	1
ro	0.6
D_	75
SREX	0.05
B_	20
da min	38.5
hidTable	ecat_NSRDGB
Oil rpm	11000
SRE	6.73
mass	0.389
GRS rpm	9000
ra	1
SRIX	0.025
D_a	68.5
SRIN	0
C0	17
fo	13.2
SREN	0
DE_	67.2
Prod_Type3	DGBB_SR_N_OT
DA_	12.7
bomp	0
Z_	8
yobi	63/32N
C_conv	29900
ALPHA_	0
SDM_	54.5
r	1.1
KBRG	6101



NTN Bearing Driveshaft do Brasil

SBRG	3
DI_	41.8