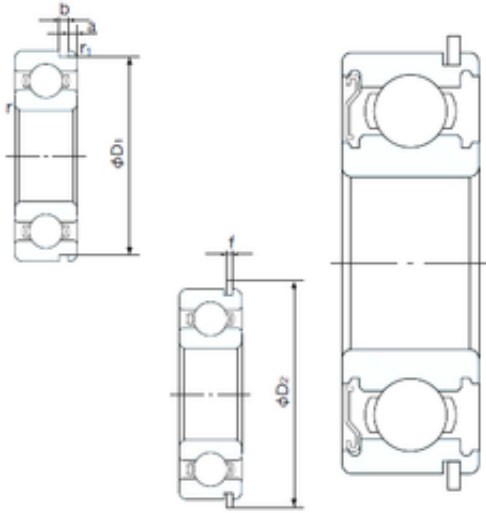




NTN Bearing Driveshaft do Brasil



30 mm x 72 mm x 19 mm 30 mm x 72 mm x 19 mm NACHI 6306ZENR deep groove ball bearings

Bearing No. 6306ZENR

6306ZENR Bearing 2D drawings and 3D CAD models

Size	30x72x19 mm
Bore Diameter	30 mm
Outer Diameter	72 mm
Width	19 mm
d	30 mm
D	72 mm
B	19 mm
C	19 mm
a	3.28 mm
b	1.9 mm
f	1.7 mm
r min.	1.1 mm
r1 min.	0.5 mm
D1	68.81 mm
D2	78.6 mm
Weight	0.346 Kg
Basic dynamic load rating (C)	26,7 kN
Basic static load rating (C0)	15 kN
(Grease) Lubrication Speed	9200 r/min
Category	Single Row Ball Bearings
Inventory	0.0
Manufacturer Name	NACHI
Minimum Buy Quantity	N/A
Weight / Kilogram	0
Product Group	B00308



NTN Bearing Driveshaft do Brasil

Enclosure	1 Metal Shield
Precision Class	ABEC 1 ISO P0
Maximum Capacity / Filling Slot	No
Rolling Element	Ball Bearing
Snap Ring	Yes
Internal Special Features	No
Cage Material	Steel
Internal Clearance	C0-Medium
Inch - Metric	Metric
Long Description	30MM Bore; 72MM Outside Diameter; 19MM Outer Race Width; 1 Metal Shield; Ball Bearing; ABEC 1 ISO P0; No Filling Slot; Yes Snap Ring; No Internal Special Features; C0-Medium Internal Clearance; Stee
Other Features	Deep Groove With Snap Ring
Category	Single Row Ball Bearing
UNSPSC	31171504
Harmonized Tariff Code	8482.10.50.68
Noun	Bearing
Keyword String	Ball
Manufacturer URL	http://www.nachiamerica.com
Weight / LBS	0.77
Inner Race Width	0 Inch 0 Millimeter
Bore	1.181 Inch 30 Millimeter
Outside Diameter	2.835 Inch 72 Millimeter
Outer Race Width	0.748 Inch 19 Millimeter
Bore Type	Cylindrical Bore
Configuration	Single Row
Bore Size	30 mm



NTN Bearing Driveshaft do Brasil

Width	19 mm
Fillet Radius/Chamfer	1.1 mm
r1	0.5 mm
Snap Ring Width	1.7 mm
Snap Ring Outside Diameter	78.6 mm
D1 (max)	68.8 mm
a (max)	3.3 mm
b (min)	1.9 mm
Dynamic Load Rating	26,700 N
Static Load Rating	15,000 N
Limiting Speed - Grease	10,000 rpm
Limiting Speed - Oil	12,000 rpm
Factor fo	13.2
Radial Clearance	0.005 to 0.020 mm
da (min)	37 mm
Da (max)	65 mm
Dx (min)	80 mm
ra (max)	1 mm
Cy (max)	4.6 mm